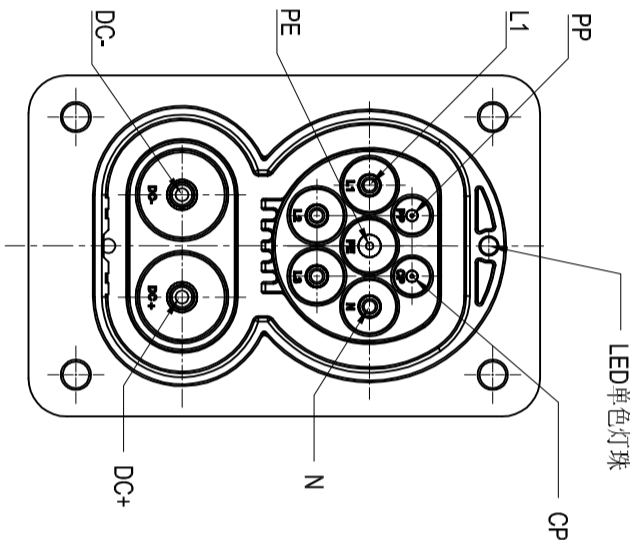
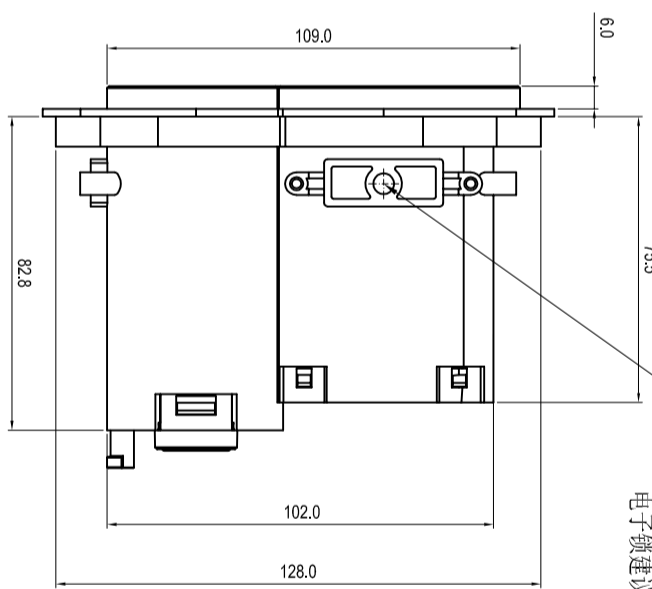


此界面符合IEC62196-3

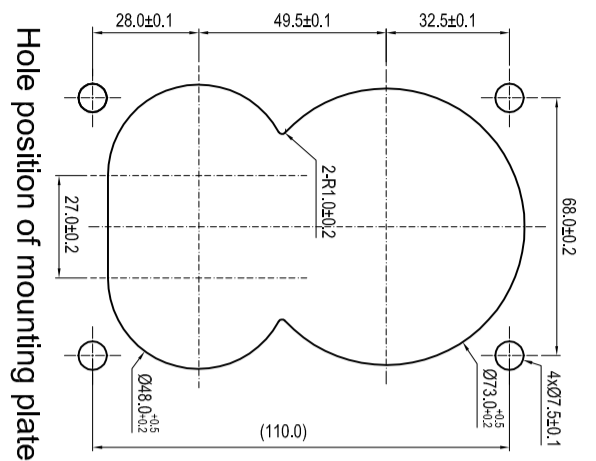


LED单色灯珠

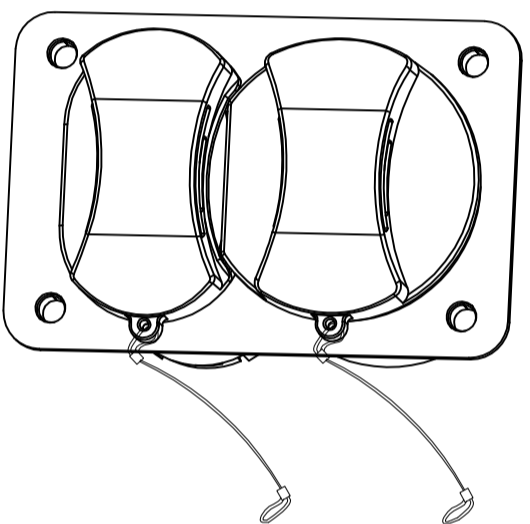


Prepared broken hole(X4)  
 The hole was not broken  
 (if customer need ,broken the hole himself)  
 2.E-Lock installation site:suggest at 3 o'clock & 9 o'clock  
 电子锁建议安装在3点钟 & 9点钟

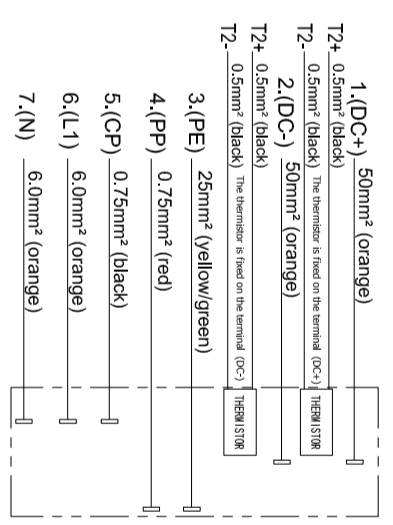
**Bolt recommended torque:5.3N\*m**  
 推荐螺栓扭矩: 5.3N\*m



Hole position of mounting plate



CABLE CONNECT METHOD



NOTES:

1.TECHNOLOGY SPECIFICATION:

- 1).OPERATING AMBIANT TEMPERATURE -30°C-50°C,
- 2).OPERATING VOLTAGE & RATE CURRENT:

- PP & CP: 30V, DC 2A;
  - DC+ DC-:1000V, DC 125A
  - L1,N:250V, AC 32A
- 2.REFERENCE IEC 62196-3:2014

Housing Material	PA66+GF
Contact Material	Aldary, Silver plating
Type of sensor	TR29,NTC
Housing color	Black
Degree of Protection (plugged in)	IP44

**IEC COMBO**  
**FOR VEHICLE COUPLER SOCKET 125A**

DIMENSIONS	ANSI Y14.5M	TOLERANCES	PROJECTION	Amphenol Pcd Shenzhen	TITLE	SIZE	DWG NO.	REV
	UNITS: MM					.X ± 1.0	CHKD	
CAD FILE	.XX ± 0.5	ANGLES	± 0.5°	ENGR	APPD	SCALE	SHEET	
ORIGINAL	THIS DOCUMENT CONTAINS PROPRIETARY INFORMATION WHICH IS THE CONFIDENTIAL PROPERTY OF AMPHENOL PCD SHENZHEN			CHKD	APPD	1:1	1 OF 1	